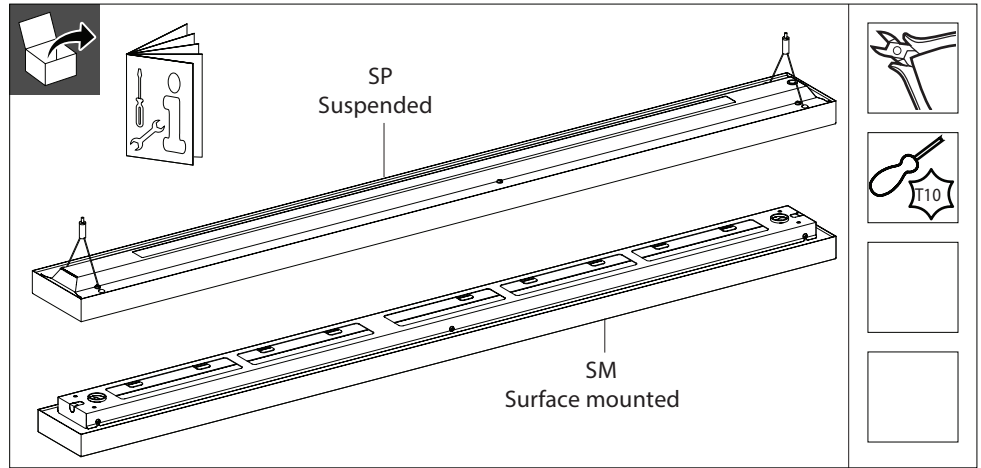


PHILIPS

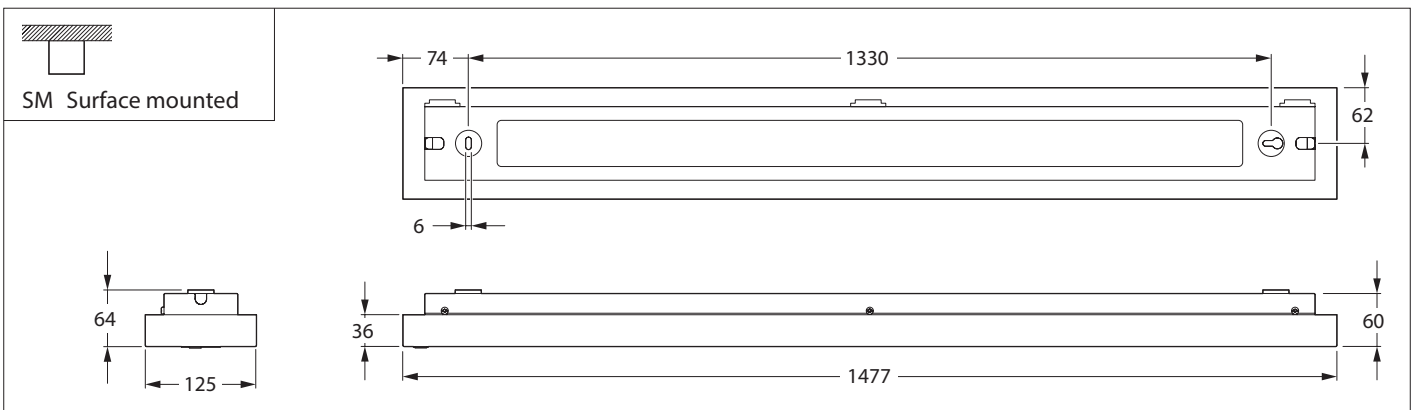
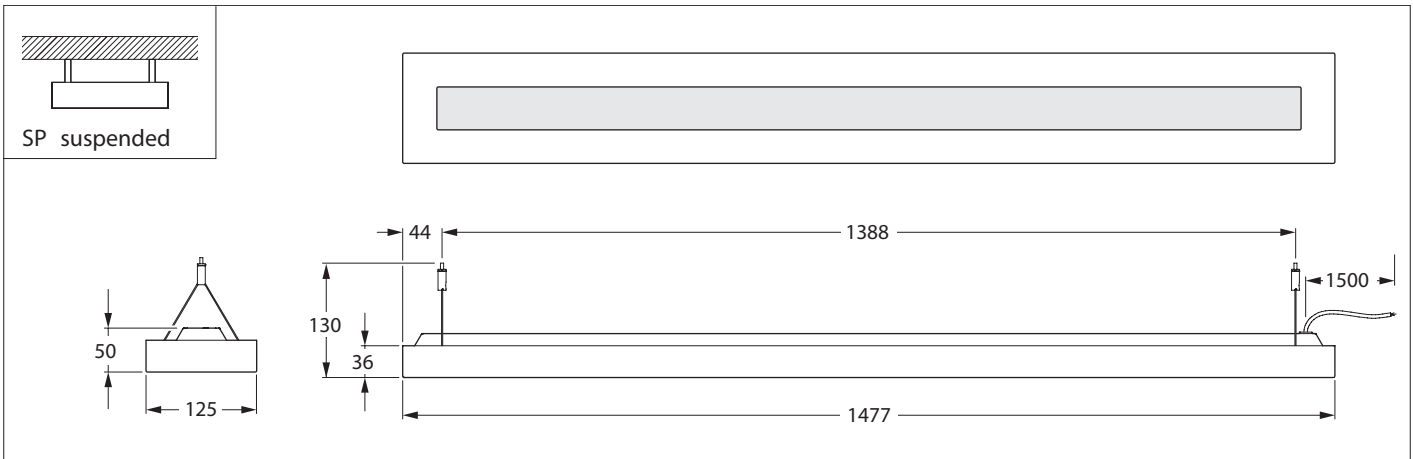
TrueLevel

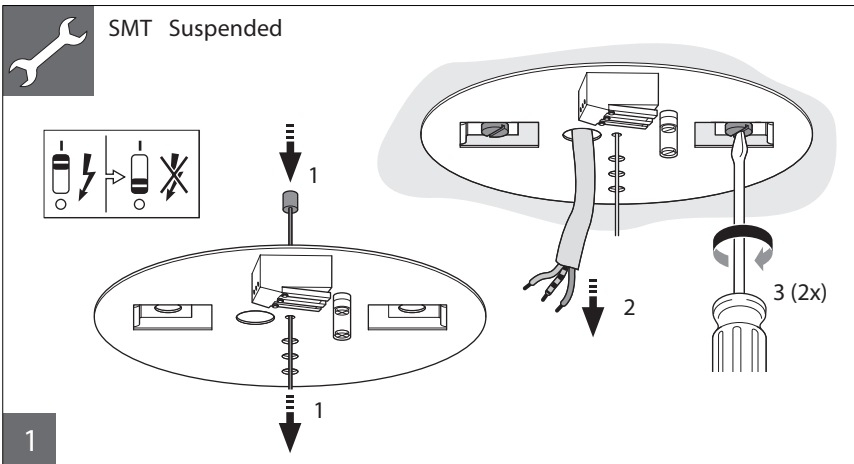
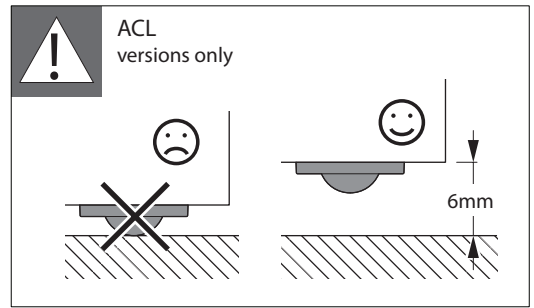
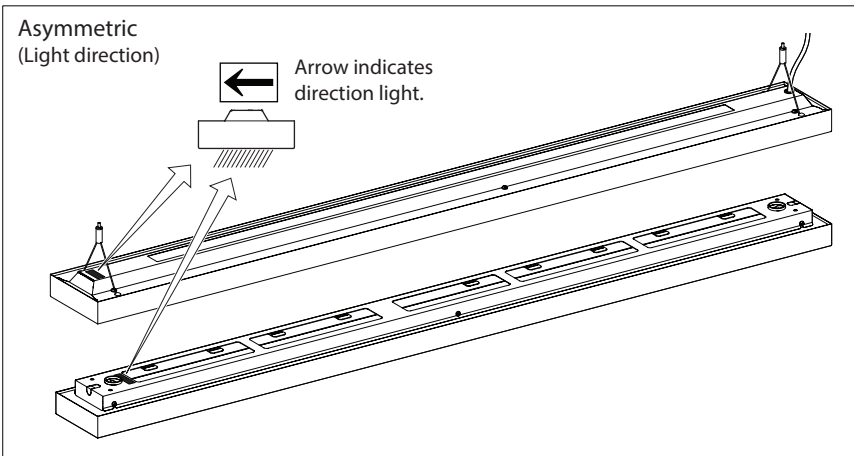
SP54xP/SM54xC



SP54xP	Suspended	5.0
	Suspended ACL	5.2
SM54xC	Surface mounted	5.5
	Surface mounted ACL	5.8

Suspension set contents								
SMT	SP54xP			1x	1x	1x	2x	3x





Inrush current

Electrical characteristics	PSD	SRD
I _{max} (A)	21	21
T _{ref} (μs)	280	280
MCB Luminaire max.		
B-10 A	15	13
B-13 A	19	17
B-16 A	24	21
B-20 A	30	26
B-25 A	37	33
C-10 A	25	22
C-13 A	32	28
C-16 A	41	36
C-20 A	50	44
C-25 A	62	55

I_{max}

max/2

I mains (A)

T_{ref}

I nom.

Time (us)

DALI PSD

Black (L)

Yellow-Green (PE)

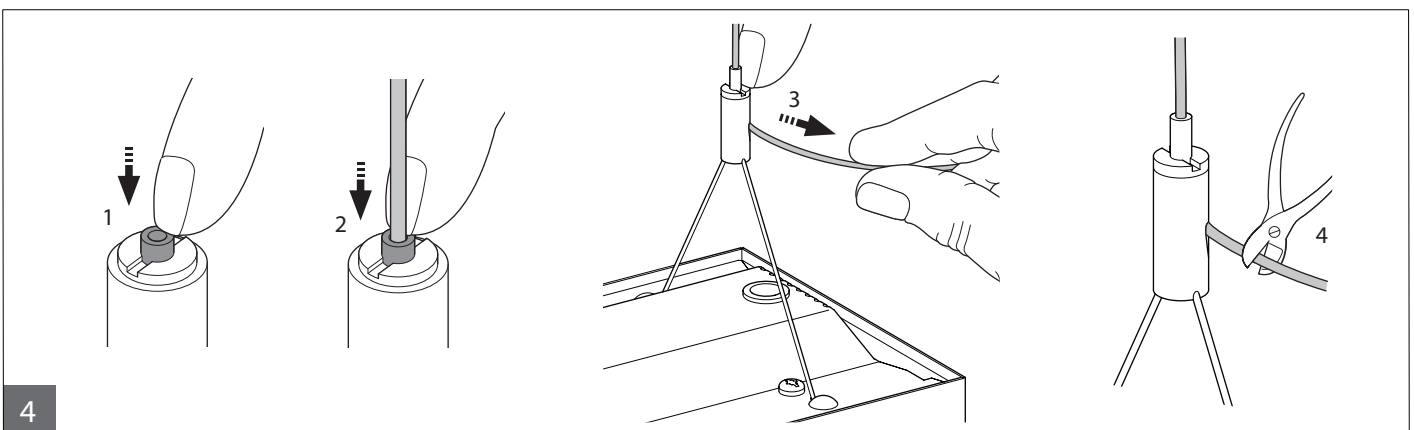
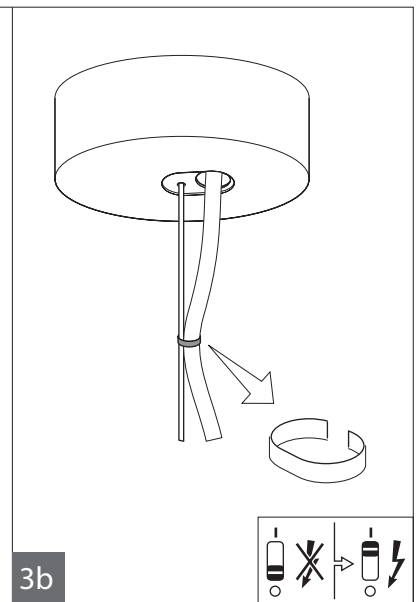
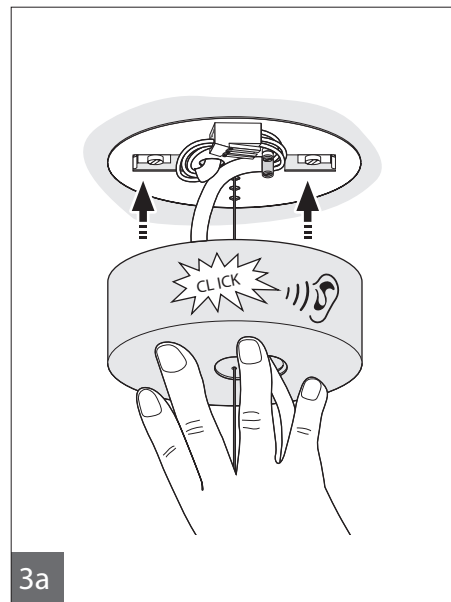
Blue (N)

Orange-Brown (+DA/LS)

Purple-Grey (-DA)

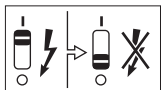
Min. 5x0,75mm²
Max. 5x2,50mm²
Ø6-Ø13mm

2

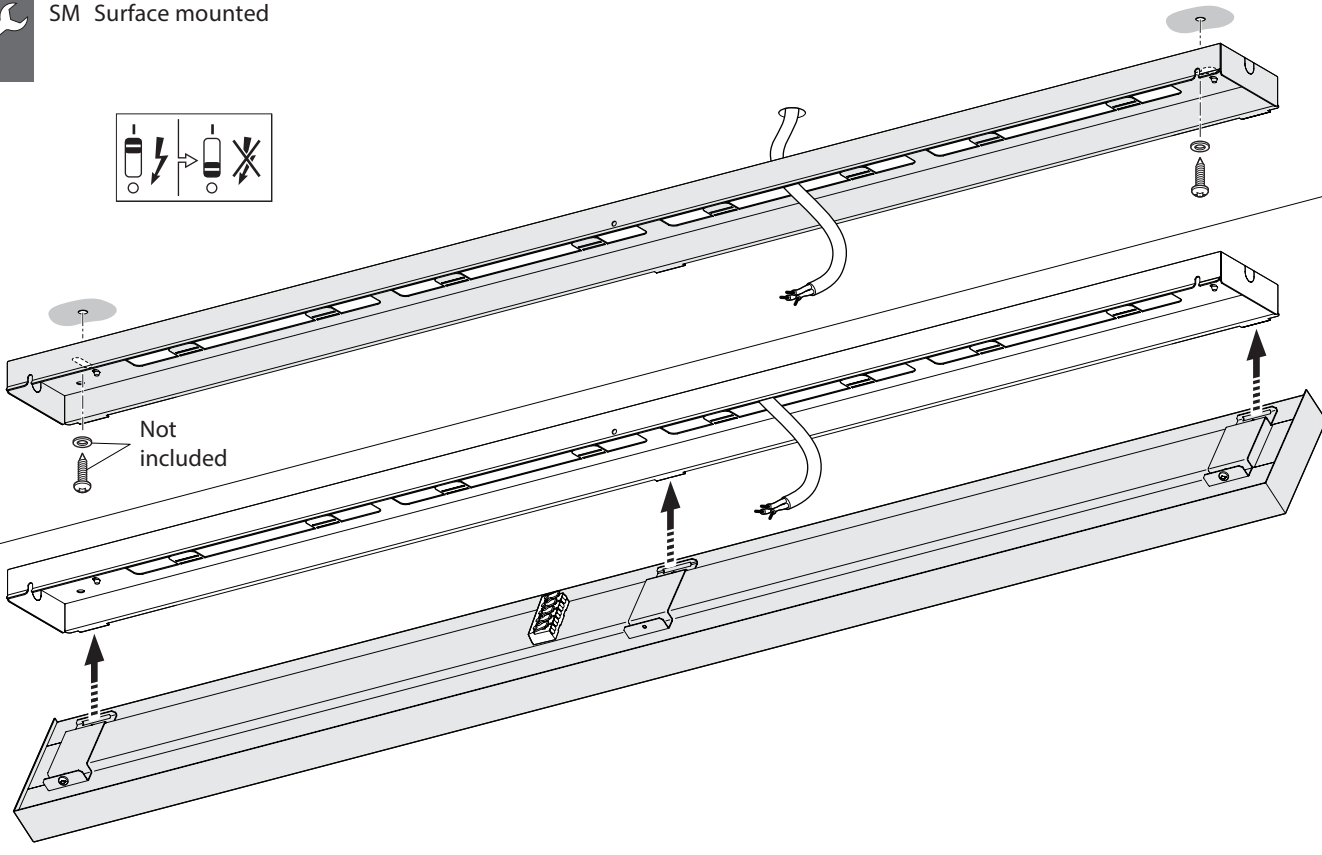




SM Surface mounted

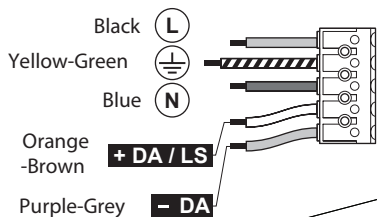


1



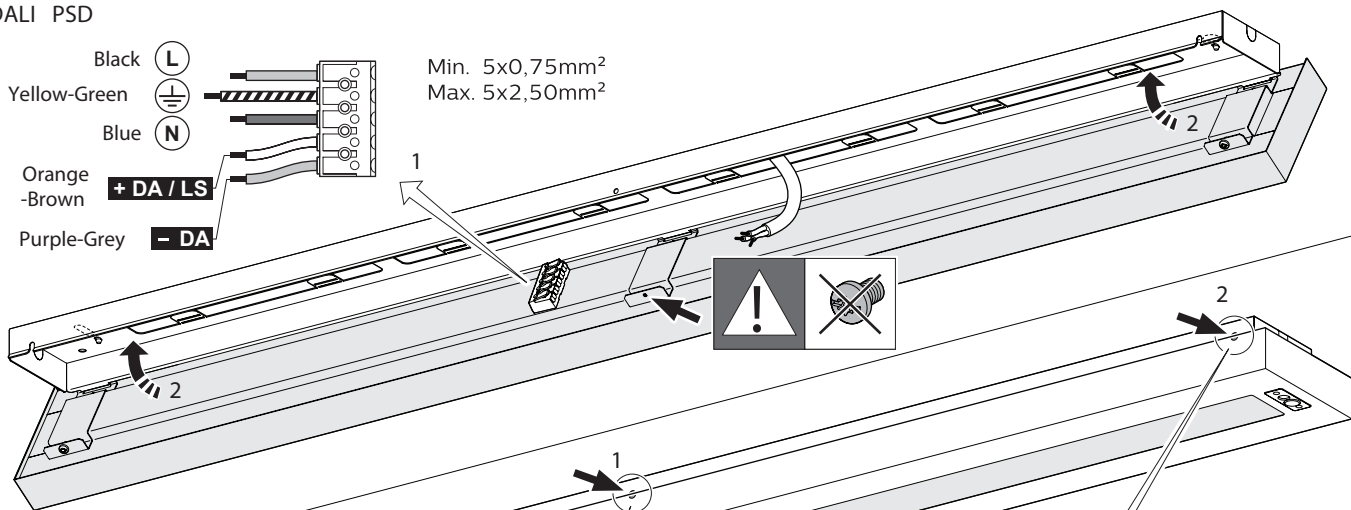
2

DALI PSD

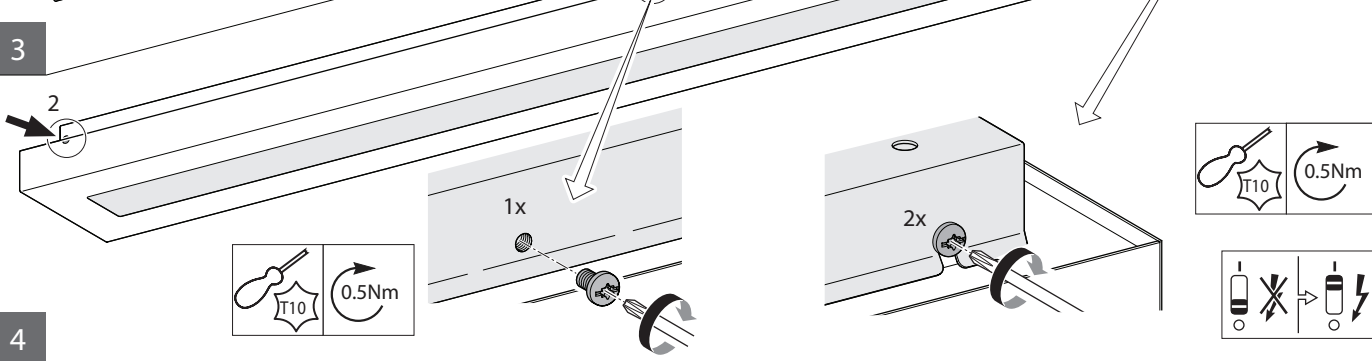


Min. 5x0,75mm²
Max. 5x2,50mm²

3



4



- The luminaire shall be installed by a qualified electrician and wired in accordance with the latest IEE electrical regulations or the national requirements.
- Please do not remove the protect film before installing to avoid scraping or dirtying the optical part.
- Indoor use only.
- During installation or maintaining the luminaire please use gloves to avoid spots on the cover.
To remove dirt and spots use the following:
 - Dust: use micro fiber cloths only
 - Fingerprints, etc.: use a cleaner for synthetic materials with antistatic properties.



ATTENTION
OBSERVE PRECAUTIONS
FOR HANDLING
ELECTROSTATIC
SENSITIVE
DEVICES



© 2018 Signify Holding

All rights reserved. Reproduction in whole or in part is prohibited without the prior written consent of the copyright owner. The information presented in this document does not form part of any quotation or contract, is believed to be accurate and reliable and may be changed without notice. No liability will be accepted by the publisher for any consequence of its use. Publication thereof does not convey nor imply any license under patent- or other industrial or intellectual property rights.

Signify Holding
The Netherlands